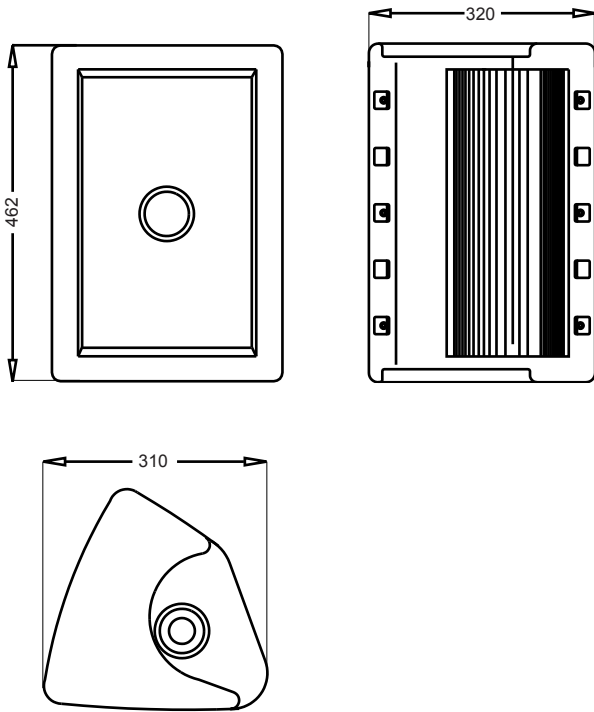


## X-act



### Electrical specifications:

- Drivers: 10"/1"
- Transient output: 325W
- Amplifier(s): eta-max™ technology
- Crossover 4th order: 1600Hz
- Lowpass 4th order: -
- Filter subsonic: 50Hz 4th order
- Filter ultrasonic: 20.000Hz 1st order

### Protection:

- S.A.L.C. (Single AudioLogic Control)
- Fast twin driver-relais turn on/off
- Transient (soft power-up)
- DC-voltage short-circuit
- LED status indication: power-on
- Input impedance: 20 kOhms balanced, 10 kOhms unbalanced.
- Output impedance: hard-wired to input S.A.L.C.
- Protection threshold: 0dBu
- Mains voltage: 230V (100V/110V optional) +5%, -10%
- Mains frequency: 50/60 Hz
- Power cons. Idle: <20VA
- RMS Full load: 300VA

### Acoustical specifications:

- Max. SPL continuous: 120dB@1m
- Calculated peak/longterm: 125dB@1m
- Freq. response: 50-20.000Hz
- Coverage angle: 100 H, 40 V

### Additional descriptive data:

- Cabinet construction: fully recyclable T.S.G. structural compound
- Finish: Polyurethane coating grey or purple
- Weight: 16.8kg
- Size WxHxD in cm: 32x46x31 trapezoid
- Rigging points: recessed stand adapter, optional: mounting bracket
- Audio connectors in: IEC XLR-3 (pin 2 hot)
- Main connectors: IEC 20
- Max. operating temp.: -10 to 40 C ambient

### Applications

- Small theatre systems
- Houses of worship
- Conference amplification
- Live / Disco club
- Theatre stage monitoring
- Acoustic guitar amplification

Specifications subject to change without notice